

CREATIONS UNLEASHED

Dragons 1: Incanus

Hello! I hope you really enjoy building and playing with my LEGO dragon, Incanus!

Here are some helpful tips:













- Collect all of the bricks ahead of time to make building with the video faster and easier.
- When gathering the bricks, color doesn't matter. Never let color limit your creativity! ☺
- Sort your bricks into groups by shape. It is much easier to find the brick you need if each group is a different shape.
- If you don't have the exact part, try to make a replacement part out of smaller pieces (for example: one 1x8 flat can usually be replaced with two 1x4 flats).
- Search for more than one part at a time. That way, you won't need to search through your LEGO bin as many times.

If you have any problems or questions, please contact me at: <http://BestProductSupport.com>.

Unleash your creativity and have fun!

~ Andrew

Parts List

1x 	7x 	1x 	12x 
1x2 thick	1x2 double locking hinge	2x2 thick locking hinge, inner piece	1x1 slope
2x 	1x 	2x 	2x 
1x2 reverse slope	2x2 slope	2x2 corner slope	2x4 slope
1x 	2x 	2x 	5x 
4x4 double reverse slope	1x2 curve slope	1x1 flat	1x2 flat

CREATIONS UNLEASHED

Dragons 1: Incanus



1x

1x2 flat with 1 bump



2x

2x2 flat



6x

1x4 flat



1x

2x3 flat



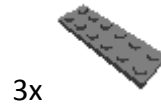
3x

2x4 flat



4x

1x8 flat



3x

2x6 flat



5x

1x1 round flat



2x

2x2 hover pad



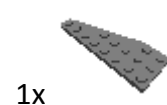
1x

2x3 right wing piece



1x

2x3 left wing piece



1x

3x8 right wing piece



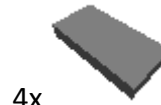
1x

3x8 left wing piece



4x

1x1 zero bump flat



4x

1x2 zero bump flat



2x

1x1 clip hinge, clip opens sideways



2x

1x2 locking hinge, outer piece



4x

1x2 locking hinge, inner piece up



2x

1x2 bar hinge with a 2 bump bar



4x

1x2 centered locking hinge, outer piece



2x

1x2 clip hinge with 2 clips



1x

1x2 to 2x2 angle plate



1x

Technic locking hinge, inner piece



2x

double locking hinge with hole

CREATIONS UNLEASHED

Dragons 1: Incanus



7x

tooth



1x

fire